

CRL

- MADE OF SHEET STEEL
- TURBINE WITH REACTION BLADES
- LOW NOISE LEVEL
- IE3 > 0.75kw MOTORS
- ENERGY SAVING



CRL

MEDIUM PRESSURE
CENTRIFUGAL FANS



CRL

Medium pressure, single-stage aspiration fans with backward-curved turbine reaction blades



Fan:

- Sheet steel casing
- Turbine with reaction blades, made of sheet steel
- Maximum temperature of air to be carried: -25 °C +120 °C

Motor:

- IE3 efficiency motors for powers equal to or greater than 0.75kW except single-phase, 2-speed and 8-pole
- Class F motors with ball bearings and IP55 protection
- Three-phase 230/400V-50Hz

Finish:

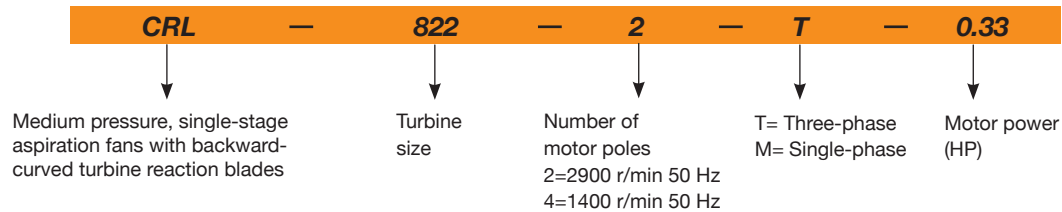
- Corrosion-proof finish of polyester resin polymerised at 190 °C, previously degreased with phosphate-free nanotechnological treatment.

On request:

- 60 Hz models
- Special windings for different voltages
- Fan prepared for air transmission of up to 250 °C
- Stainless steel fan



Order code



Technical characteristics

Model	Speed (r/min)	Maximum current admissible (A)		Installed power (kW)	Maximum flow rate (m ³ /h)	Sound pressure level dB(A) ⁽¹⁾	Approx. weight (Kg)	According to ErP
		230V	400V					
CRL-822-2T-0.33	2760	1.24	0.71	0.25	1350	72	19	2015
CRL-925-2T-0.5	2830	1.56	0.90	0.37	1850	75	22	2015
CRL-1028-2T-0.75	2780	2.17	1.25	0.55	2600	77	29	2015
CRL-1031-2T-1.5 IE3	2830	4.03	2.32	1.10	3600	82	41	2015
CRL-1135-2T-3 IE3	2870	7.70	4.43	2.20	5230	71	59	2015
CRL-1240-2T-4 IE3	2910	10.00	5.77	3.00	7320	90	85	2015
CRL-1240-4T-1 IE3	1420	2.82	1.62	0.75	3630	74	66	2015
CRL-1445-4T-1.5 IE3	1455	4.07	2.34	1.10	6170	78	83	2015
CRL-1650-4T-2 IE3	1450	5.48	3.15	1.50	8500	81	106	2015
CRL-1856-4T-3 IE3	1435	7.93	4.56	2.20	12080	84	132	2015

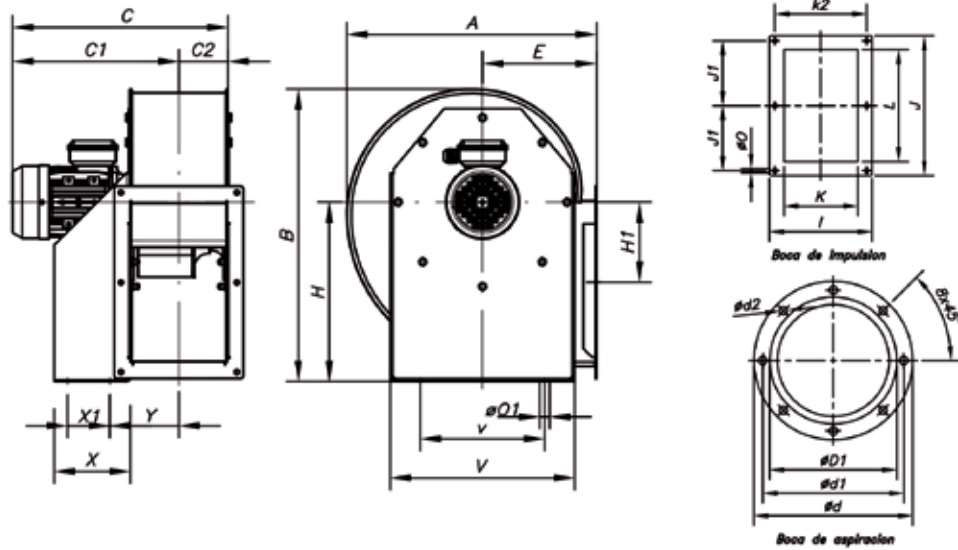
Acoustic characteristics

Noise power spectrum Lw(A) in dB(A) frequency band in [Hz]

Model	63	125	250	500	1000	2000	4000	8000	Model	63	125	250	500	1000	2000	4000	8000
CRL-822-2T-0.33	54	67	67	80	75	75	75	68	CRL-1240-2T-4 IE3	69	84	82	94	91	95	97	84
CRL-925-2T-0.5	58	71	71	84	79	79	79	72	CRL-1240-4T-1 IE3	57	71	77	80	80	81	71	60
CRL-1028-2T-0.75	59	72	72	85	80	80	80	73	CRL-1445-4T-1.5 IE3	60	73	79	84	81	84	79	65
CRL-1031-2T-1.5 IE3	65	78	78	91	86	86	86	79	CRL-1650-4T-2 IE3	67	77	85	87	86	88	79	69
CRL-1135-2T-3 IE3	57	64	62	74	72	78	77	64	CRL-1856-4T-3 IE3	68	77	90	86	89	90	84	70

Dimensions mm

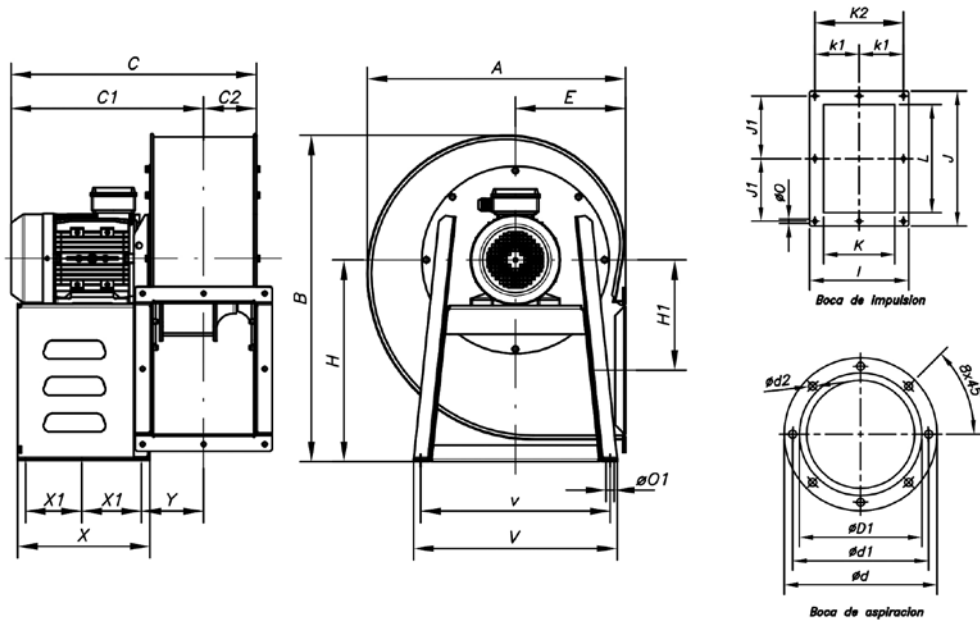
CRL-822-1028



Model	A	B	C	C1	C2	ØD1*	ød	Ød1	Ød2	E	H	H1	I	J	J1	K	K2	L	Ø0	Ø01	V	v	X	X1	Y
CRL-822-2T	388	455	342.5	270	71.5	224	278	256	M8	180	280	134	204	282.5	128	140	180	215	9.5	10.5	290	220	114	50	105
CRL-925-2T	427	500	390	306	85	250	305	282	M8	197	310	145	229	312.5	145	165	205	250	9.5	12.5	315	228	134	74	115
CRL-1028-2T	472	550	407	315	93	280	348	320	M8	215	340	152	244	364	170	180	220	296.5	9.5	12.5	350	245	144	95	120

* Recommended pipe nominal diameter

CRL-1031-1856



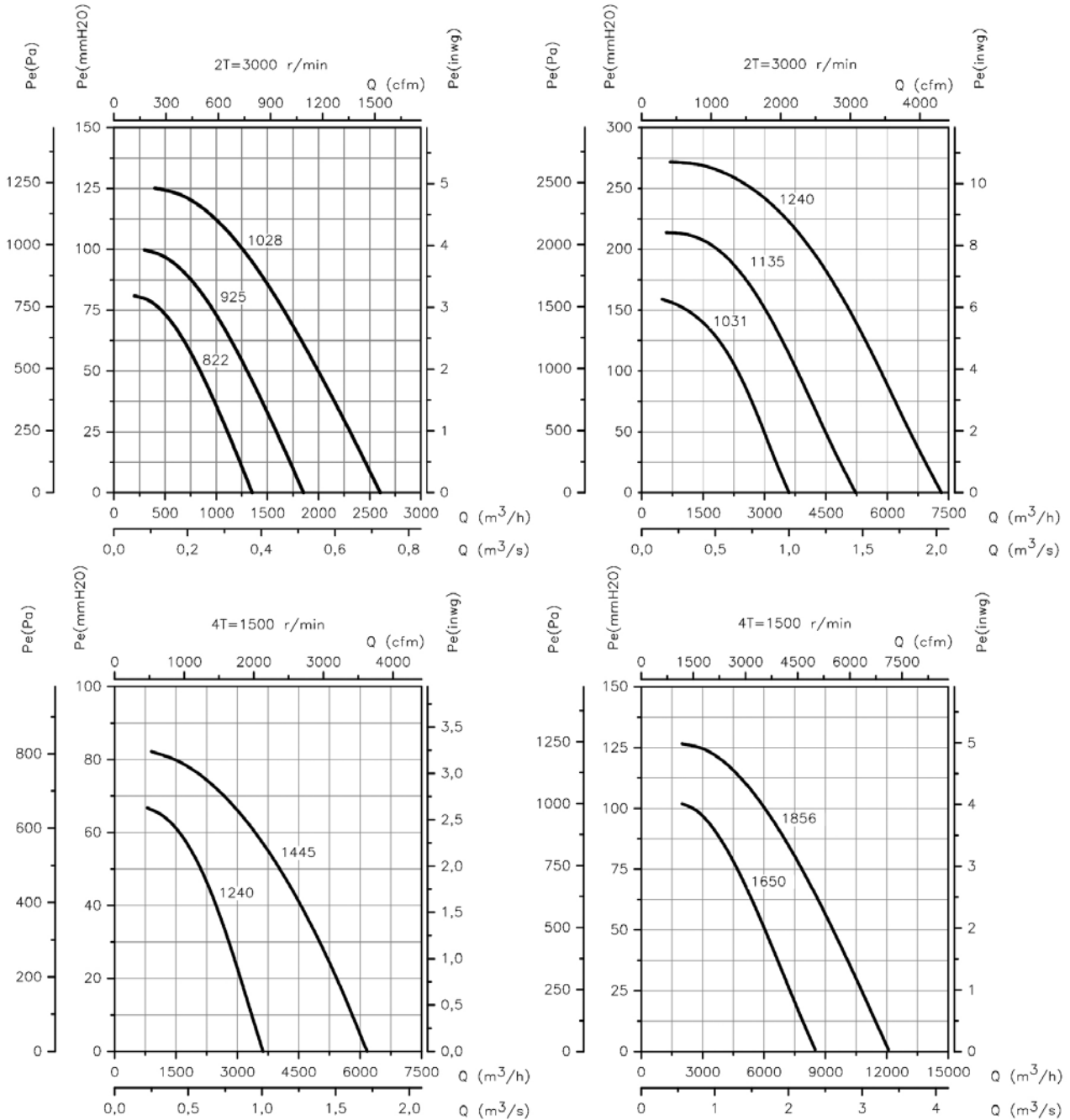
Model	A	B	C	C1	C2	ØD1*	ød	Ød1	Ød2	E	H	H1	I	J	J1	K	K1	K2	L	Ø0	Ø01	V	v	X	X1	Y
CRL-1031-2T	526	630	445	340	103.5	315	382	354	M8	238	390	180	264	382.5	180	200	--	240	320	11.5	12	430	400	200	155	130
CRL-1135-2T	573.5	715	500	382.5	118	355	422	394	M8	250	450	242.5	292	342.5	159	228	133	-	280	11.5	12	485	455	245	195	145
CRL-1240-2T	635	800	585	455	130	400	464	438	M8	270	495	270	336	404	185	250	150	-	321	11.5	12	500	460	300	133.5	125
CRL-1240-4T	635	800	500	368.5	130	400	464	438	M8	270	495	270	336	404	185	250	150	-	321	11.5	12	500	460	250	200	157
CRL-1445-4T	710	900	600	412	147	450	515	485	M8	300	560	305	370	444	202	284	164	-	361	11.5	12	575	550	275	215	180
CRL-1650-4T	797	990	590	427	162.5	500	565	535	M8	345	615	313	411	544	250	315	182.5	-	451	11.5	12	640	615	275	215	195
CRL-1856-4T	900	1100	510	505	182	560	625	610	M8	395	680	325	457	660	203	355	203.5	-	560	13	12	580	550	300	240	215

* Recommended pipe nominal diameter

Characteristic curves

Q= Flow rate in m³/h, m³/s and cfm.

Pe= Static pressure in mmH₂O, Pa and inwg.





Erp. Best efficiency point (BEP) characteristics

MC	Measurement category	ηe[%]	Efficiency
EC	Efficiency category	N	Efficiency grade
	S Static	[kW]	Electric power
	T Total	[m³/h]	Flow rate
VSD	Variable speed drive	[mmH₂O]	Static or total pressure (based on EC)
SR	Specific ratio	[RPM]	Speed

Model	MC	EC	VSD	SR	ηe[%]	N	[kW]	[m ³ /h]	[mmH ₂ O]	[RPM]
CRL-822-2T-0.33	A	S	NO	1.01	44.4%	61.2	0.261	678	62.96	2832
CRL-925-2T-0.5	A	S	NO	1.01	46.5%	61.7	0.417	930	77.73	2864
CRL-1028-2T-0.75	A	S	NO	1.01	48.7%	63.6	0.676	1306	97.51	2791
CRL-1031-2T-1.5 IE3	A	S	NO	1.01	51.0%	67.9	1.128	2006	119.57	2854
CRL-1135-2T-3 IE3	A	S	NO	1.02	53.2%	74.9	1.819	2579	173.84	2908
CRL-1240-2T-4 IE3	A	S	NO	1.02	56.0%	72.2	3.342	3944	209.11	2913
CRL-1240-4T-1 IE3	A	S	NO	1.01	47.0%	75.0	0.464	1916	54.21	1459
CRL-1445-4T-1.5 IE3	A	S	NO	1.01	49.8%	75.4	0.860	3180	63.69	1470
CRL-1650-4T-2 IE3	A	S	NO	1.01	52.3%	73.2	1.476	4037	86.52	1458
CRL-1856-4T-3 IE3	A	S	NO	1.01	54.4%	76.5	2.340	5764	104.13	1440

Orientation

Standard supply LG 270

Positions LG 180 and RD 180 on request with special anchoring measurements

Models 822, 925, 1028 and 1031 do not admit positions LG 135 or RD 135



Accessories

See accessories section.



EFFICIENT WORK FANS



SOLution DEvelopment CAPacity

Fast and flexible industrial fan solutions and tailored fans

Large experience in smoke control systems and ATEX applications

Wide range of certified products for specific markets

AXIAL FANS AND ROOF-MOUNTED EXTRACTORS



CENTRIFUGAL FANS AND IN-LINE



SMOKE EXTRACTOR FANS



EXTRACTOR FANS FOR ATEX EXPLOSIVE ATMOSPHERES AND OTHER APPLICATIONS



HEAT RECOVERY UNITS AND FILTERING UNITS



AIR CURTAINS FOR COMMERCIAL AND INDUSTRIAL APPLICATIONS



VENTILATION SYSTEMS FOR HOMES



ASK US FOR INFORMATION

www.sodeca.com



SODECA Group



HEADQUARTERS
Sodeca S.L.U.
Ctra. de Berga, km 0,7
E-08580 SANT QUIRZE DE BESORA
Barcelona, SPAIN
Tel. +34 93 852 91 11
Fax +34 93 852 90 42
General sales:
comercial@sodeca.com
Export sales:
ventilation@sodeca.com

CHILE
Sodeca Ventiladores Ltda
Sr. Frederic Cousquer
Santa Bernardita 12.005
(Esquina con Puerta Sur)
Bodegas 24 a 26
03380 San Bernardo,
Santiago, CHILE
Tel. +56 22 840 5582
ventas.chile@sodeca.com

COLOMBIA
Sodeca Colombia S.A.S
Sra. Luisa Stella Prieto
Avenida 1 de Mayo
N°72N - 45/47 Sur
Bogotá, COLOMBIA
Tel. +57 1 293 7272
ventascolombia@sodeca.co

PORTUGAL
Sodeca Portugal Lda
PORTO
Rua Veloso Salgado 1120/1138
4450-801 Leça de Palmeira,
Tel. +351 229 991 100
Fax. +351 229 991 119
geral@sodeca.pt

FINLAND
Sodeca Finland Oy
Mr. Kai Yli-Sipilä
Metsälinnankatu 30, PL2,
FI-32700 Huittinen,
FINLAND
Tel. + 358 400 320 125
orders.finland@sodeca.com

PORTUGAL
Sodeca Portugal Lda
LISBOA
Parque Empresarial da Granja
Pavilhão 8
2625-607 Vialonga,
Tel. +351 219 748 491
Fax. +351 219 748 493
geral@sodeca.pt

RUSSIA
Sodeca, L.L.C.
Mr. Stanislav Alifanov
Myasisheva str, 1, room 603
Business Center "Chaika"
140180 Zhukovskiy,
Moscow, RUSSIA
Tel. +7 495 955 90 50
alifanov@sodeca.com

UNITED KINGDOM
Sodeca Fans UK Ltd
Mr. Mark Newcombe
Pacific House
Relay Point
Tamworth, B77 5PA
UNITED KINGDOM
Tel. +44 (0) 1827 264 435
Mob. +44 (0) 7488 517433
sales@sodeca.co.uk

ZONA CARIBE
Sodeca Cuba
Sr. Carlos Hernández
Residencial Miramar
Apto. N° 108
Ave. 7ma N° 1805 entre 18 y 20
Miramar Playa, Havana, CUBA
Tel. +537 20 43721
carlos@sodeca.co.uk