

KIT BOXSMART KIT BOXSMART II

Pressurisation system for stairs or evacuation routes, designed according to the European standard EN 12101-6



DAMPER BOX SMART motorised dampers included in the KIT

The correct operation of the pressurisation systems depends not only on their sound design, but also on the correct regulation performed by the system. For this reason, it is extremely important to have calibrated, high precision regulation elements that will permit both situations present in the event of a fire to be maintained simultaneously, quickly and stably.

KIT BOXSMART

- Overpressure kit for pressurizing stairs and evacuation routes, consisting of a control panel (BOXSMART), a fan unit (CJHCH or CJBBD), and one or two motorised dampers with a smoke detector (DAMPER BOX SMART), depending on the selected model (1D or 2D).

KIT BOXSMART II

- Overpressure kit with backup fan, consisting of a control panel

(BOXSMART II), which incorporates an automatic switching system to maintain overpressure in the event of failure of the main fan, and motorised dampers with smoke detector (DAMPER BOX SMART).

CM-SMART

- Supplied as an optional accessory.
- External control panel for firefighters.
- Indicates the system status and provides firefighters with the option of manually turning the system on or off via its selector switch. We recommend that this panel be installed at the main entry point to the protected area.

SI-CALENDAR

- Supplied as an optional accessory.
- Time programmer with calendar to manage the activation of the systems for daily ventilation.



- Easy to install.
- A compact, autonomous solution.
- Easy start-up.
- Safe, functional installation.

Order code

KIT BOXSMART	—	7100	—	230	—	1D
↓		↓		↓		↓
KIT BOXSMART: Overpressure unit KIT BOXSMART II: Overpressure unit with standby fan		Maximum flow rate (m ³ /h)		230: Single-phase 200 to 240 V 50/60 Hz input 400: Three-phase 380 to 480 V 50/60 Hz input		Dampers supplied: 1D: 1 DAMPER BOX SMART 2D: 2 DAMPER BOX SMART

Technical characteristics

Model	Power (kW)	Power supply (V) (Hz)	Outlet (V)	Maximum flow rate (m ³ /h)	Impulsion unit	Motorised inlet damper
KIT BOXSMART-2880 - 230V-1D	0,37	200-240 V AC II 50/60Hz	230 V AC II	2880	CJBD-2828-4M 1/2	DAMPER BOX SMART 56/63
KIT BOXSMART-7100 - 230V-1D	0,37	200-240 V AC II 50/60Hz	230 V AC III	7100	CJHCH-45-4T-0.5 IE3	DAMPER BOX SMART 56/63
KIT BOXSMART-7800 - 230V-1D	1,10	200-240 V AC II 50/60Hz	230 V AC III	7800	CJBD-3333-6T 1 1/2	DAMPER BOX SMART 56/63
KIT BOXSMART-12900 - 230V-1D	0,75	200-240 V AC II 50/60Hz	230 V AC III	12900	CJHCH-56-4T-1 IE3	DAMPER BOX SMART 56/63
KIT BOXSMART-17000 - 230V-1D	1,10	200-240 V AC II 50/60Hz	230 V AC III	1700	CJHCH-63-4T-1.5 IE3	DAMPER BOX SMART 56/63
KIT BOXSMART-7800 - 400V-1D	1,10	380-400 V AC III 50/60Hz	400 V AC III	7800	CJBD-3333-6T 1 1/2	DAMPER BOX SMART 56/63
KIT BOXSMART-12900 - 400V-1D	0,75	380-400 V AC III 50/60Hz	400 V AC III	12900	CJHCH-56-4T-1 IE3	DAMPER BOX SMART 56/63

Technical characteristics

Model	Power (kW)	Power supply (V) (Hz)	Outlet (V)	Maximum flow rate (m ³ /h)	Impulsion unit	Motorised inlet damper
KIT BOXSMART-17000 - 400V-1D	1,10	380-400 V AC III 50/60Hz	400 V AC III	1700	CJHCH-63-4T-1.5 IE3	DAMPER BOX SMART 56/63
KIT BOXSMART-21100 - 400V-1D	1,50	380-400 V AC III 50/60Hz	400 V AC III	21100	CJHCH-71-4T-2 IE3	DAMPER BOX SMART 71/80
KIT BOXSMART-2880 - 230V-2D	0,37	200-240 V AC II 50/60Hz	230 V AC II	2880	CJBD-2828-4M 1/2	DAMPER BOX SMART 56/63
KIT BOXSMART-7100 - 230V-2D	0,37	200-240 V AC II 50/60Hz	230 V AC III	7100	CJHCH-45-4T-0.5 IE3	DAMPER BOX SMART 56/63
KIT BOXSMART-7800 - 230V-2D	1,10	200-240 V AC II 50/60Hz	230 V AC III	7800	CJBD-3333-6T 1 1/2	DAMPER BOX SMART 56/63
KIT BOXSMART-12900 - 230V-2D	0,75	200-240 V AC II 50/60Hz	230 V AC III	12900	CJHCH-56-4T-1 IE3	DAMPER BOX SMART 56/63
KIT BOXSMART-17000 - 230V-2D	1,10	200-240 V AC II 50/60Hz	230 V AC III	1700	CJHCH-63-4T-1.5 IE3	DAMPER BOX SMART 56/63
KIT BOXSMART-7800 - 400V-2D	1,10	380-400 V AC III 50/60Hz	400 V AC III	7800	CJBD-3333-6T 1 1/2	DAMPER BOX SMART 56/63
KIT BOXSMART-12900 - 400V-2D	0,75	380-400 V AC III 50/60Hz	400 V AC III	12900	CJHCH-56-4T-1 IE3	DAMPER BOX SMART 56/63
KIT BOXSMART-17000 - 400V-2D	1,10	380-400 V AC III 50/60Hz	400 V AC III	1700	CJHCH-63-4T-1.5 IE3	DAMPER BOX SMART 56/63
KIT BOXSMART-21100 - 400V-2D	1,50	380-400 V AC III 50/60Hz	400 V AC III	21100	CJHCH-71-4T-2 IE3	DAMPER BOX SMART 71/80

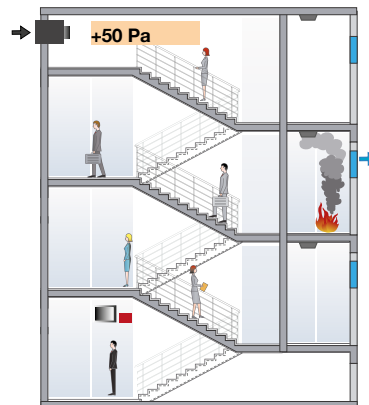
* The output power is reduced by 20% when the equipment is operating in the lower electrical power range.
 ** The same models, may be supplied with the KIT BOXSMART II for standby fan (a second impulsion unit is added to the KIT BOXSMART).

Application example

Overpressure smoke control method

This system uses pressurisation by injecting air into spaces that are used as evacuation routes in the event of a fire, including stairwells, corridors, passageways, lifts, etc., especially in tall buildings with high occupancy.

The method is based on using air speed and over pressure to create a barrier, preventing smoke from entering evacuation routes.



Accessories



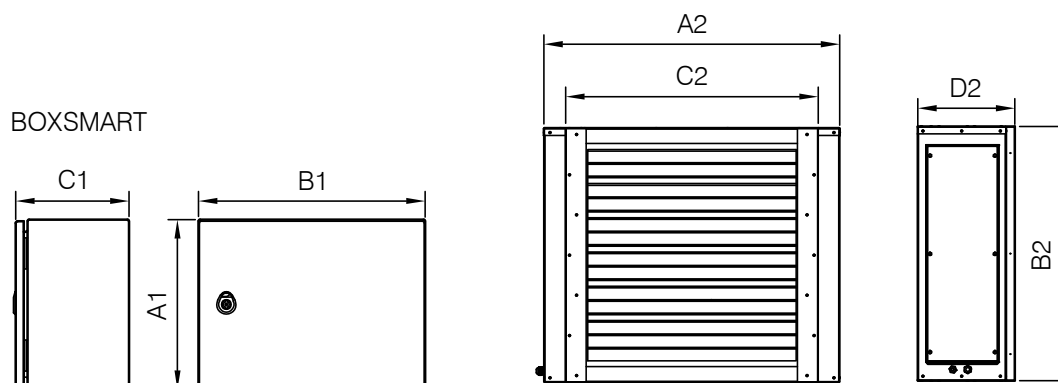
CM-SMART



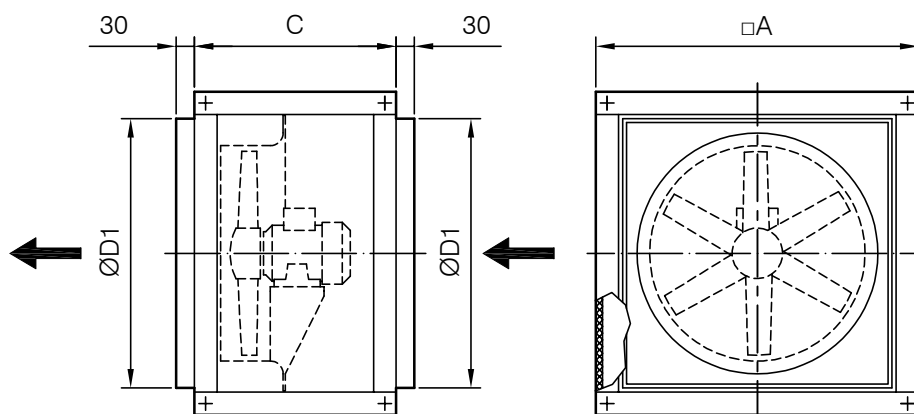
SI-CALENDAR

Dimensions mm

DAMPER BOXSMART



CJHCH

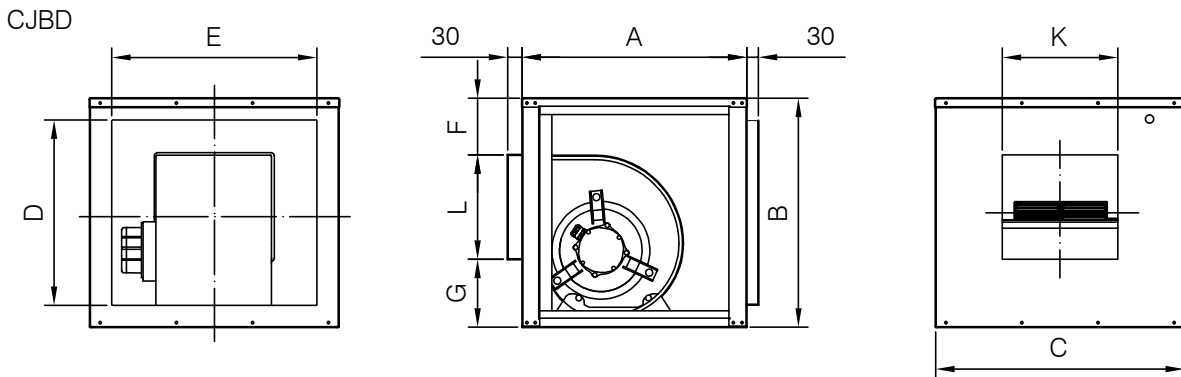
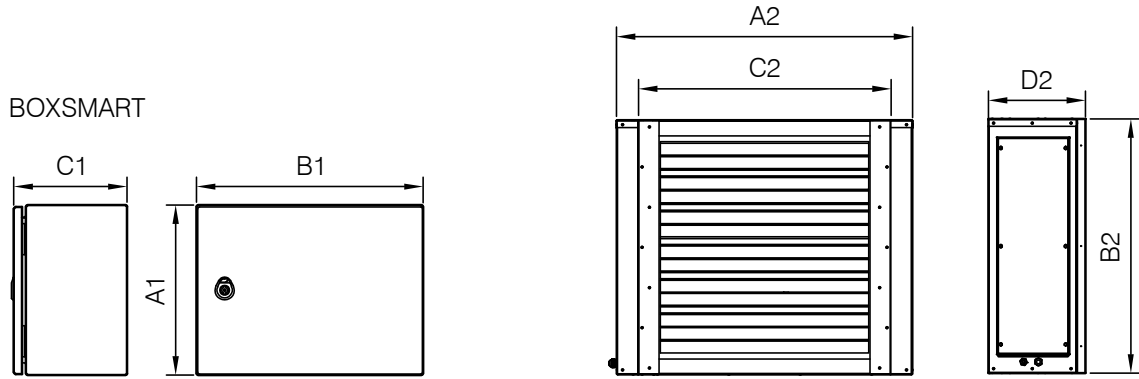


	A	C	ØD1	A1	B1	C1	A2	B2*	C2*	D2
KIT BOXSMART-7100 - 230V-1D	700	550	565	400	600	250	835	690	690	350
KIT BOXSMART-12900 - 230V-1D	825	550	690	400	600	250	835	690	690	350
KIT BOXSMART-17000 - 230V-1D	825	550	690	400	600	250	835	690	690	350
KIT BOXSMART-12900 - 400V-1D	825	550	690	400	600	250	835	690	690	350
KIT BOXSMART-17000 - 400V-1D	825	550	690	400	600	250	835	690	690	350
KIT BOXSMART-21100 - 400V-1D	1000	650	850	400	600	250	995	850	850	350
KIT BOXSMART-7100 - 230V-2D	700	550	565	400	600	250	835	690	690	350
KIT BOXSMART-12900 - 230V-2D	825	550	690	400	600	250	835	690	690	350
KIT BOXSMART-17000 - 230V-2D	825	550	690	400	600	250	835	690	690	350
KIT BOXSMART-12900 - 400V-2D	825	550	690	400	600	250	835	690	690	350
KIT BOXSMART-17000 - 400V-2D	825	550	690	400	600	250	835	690	690	350
KIT BOXSMART-21100 - 400V-2D	1000	650	850	400	600	250	995	850	850	350
KIT BOXSMART-II-7100 - 230V-1D	700	550	565	400	600	250	835	690	690	350
KIT BOXSMART-II-12900 - 230V-1D	825	550	690	400	600	250	835	690	690	350
KIT BOXSMART-II-17000 - 230V-1D	825	550	690	400	600	250	835	690	690	350
KIT BOXSMART-II-12900 - 400V-1D	825	550	690	400	600	250	835	690	690	350
KIT BOXSMART-II-17000 - 400V-1D	825	550	690	400	600	250	835	690	690	350
KIT BOXSMART-II-21100 - 400V-1D	1000	650	850	400	600	250	995	850	850	350
KIT BOXSMART-II-7100 - 230V-2D	700	550	565	400	600	250	835	690	690	350
KIT BOXSMART-II-12900 - 230V-2D	825	550	690	400	600	250	835	690	690	350
KIT BOXSMART-II-17000 - 230V-2D	825	550	690	400	600	250	835	690	690	350
KIT BOXSMART-II-12900 - 400V-2D	825	550	690	400	600	250	835	690	690	350
KIT BOXSMART-II-17000 - 400V-2D	825	550	690	400	600	250	835	690	690	350
KIT BOXSMART-II-21100 - 400V-2D	1000	650	850	400	600	250	995	850	850	350

* Duct measurements.

Dimensions mm

DAMPER BOXSMART



	A	B	C	D	E	F	G	K	L	A1	B1	C1	A2	B2*	C2*	D2
KIT BOXSMART-2880 - 230V-1D	550	575	600	479	504	104	177	330	294	400	600	250	835	690	690	350
KIT BOXSMART-7800 - 230V-1D	650	650	700	554	604	105	198	392	347	400	600	250	835	690	690	350
KIT BOXSMART-7800 - 400V-1D	650	650	700	554	604	105	198	392	347	400	600	250	835	690	690	350
KIT BOXSMART-2880 - 230V-2D	550	575	600	479	504	104	177	330	294	400	600	250	835	690	690	350
KIT BOXSMART-7800 - 230V-2D	650	650	700	554	604	105	198	392	347	400	600	250	835	690	690	350
KIT BOXSMART-7800 - 400V-2D	650	650	700	554	604	105	198	392	347	400	600	250	835	690	690	350
KIT BOXSMART-II -2880 - 230V-1D	550	575	600	479	504	104	177	330	294	400	600	250	835	690	690	350
KIT BOXSMART-II -7800 - 230V-1D	650	650	700	554	604	105	198	392	347	400	600	250	835	690	690	350
KIT BOXSMART-II -7800 - 400V-1D	650	650	700	554	604	105	198	392	347	400	600	250	835	690	690	350
KIT BOXSMART-II -2880 - 230V-2D	550	575	600	479	504	104	177	330	294	400	600	250	835	690	690	350
KIT BOXSMART-II -7800 - 230V-2D	650	650	700	554	604	105	198	392	347	400	600	250	835	690	690	350
KIT BOXSMART-II -7800 - 400V-2D	650	650	700	554	604	105	198	392	347	400	600	250	835	690	690	350

* Duct measurements.